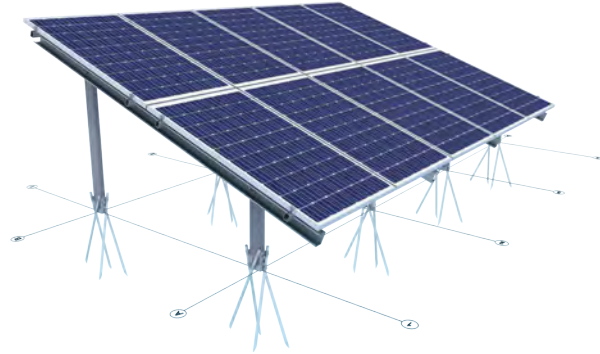


Technical datasheet

X-GROUND V3 SOLAR TABLE

Purpose

The X-Ground solar tables are the ideal solution for small and medium-sized ground-mounted solar power plants. Thanks to their micropile foundation system, you save the cost of large construction equipment and do not damage your land with concrete foundations.



Standard model 5V2
(5 columns of 2 panels, 8 posts)

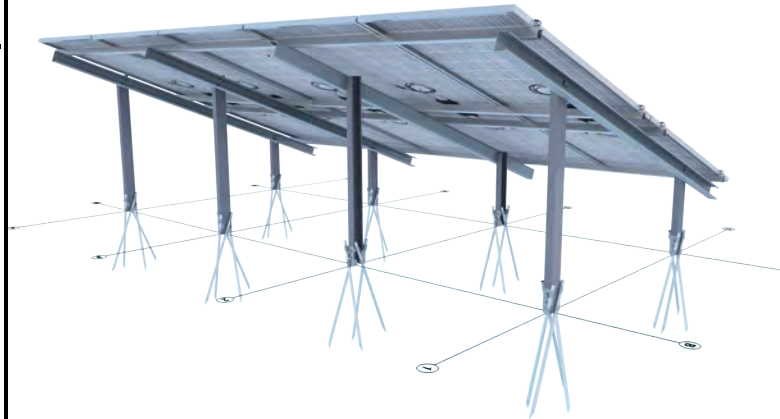
Technical features

Metal	Steel + ZM310
Field of use	X-Ground tables are a process used in the installation of ground-mounted photovoltaic power plants with a capacity of up to 1 Mwc.
Foundations	Anchoring of the foot of the post with 4 tubes of diameter 22mm and length 1.5m. Variable length according to the soil study.
Soil types	Any soil capable of receiving micropiles (excluding fill, sand, rock...) Soil study is not mandatory but recommended according to the implantation area. Pull-out tests must be carried out: consult us.
Installation area	On the standard model, the modules are held by 2 parallel rails, depending on the geographical area, a 3rd rail can be installed.*
Modules tilt	14° or 18° approx
Modules	Portrait. Max length max: 2300 mm. Max width = 1140 mm
Alignment	The tables follow the natural slope of the ground. Optional heightener can be provided to align them.

*subject to feasibility, refer to the module installation manual

System parts

DESIGNATION	ADIWATT REFERENCE
Clamp	10854
Rail A52	
1050 mm	10237
1560 mm	10238
1750 mm	10239
2100 mm	10240
3120 mm	10245
3500 mm	10246
Fishplate	10855
Rail stop OPTIMA	10856
Pilar	
650 mm	10073
790 mm	10075
1310 mm	10069
Wind bracing	10028



System layout

For tables with modules from 2.0 m to 2.3 m in length and a maximum width of 1140 mm

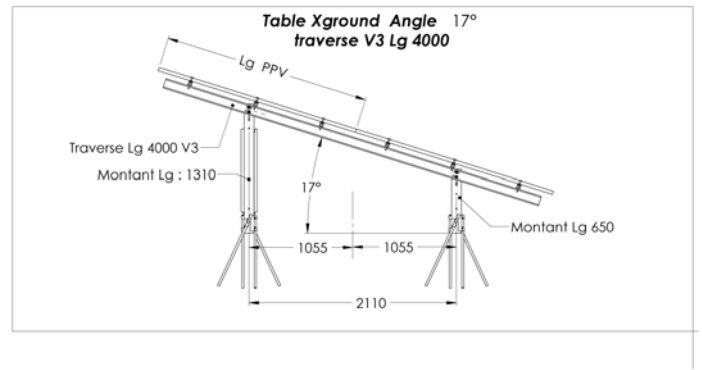
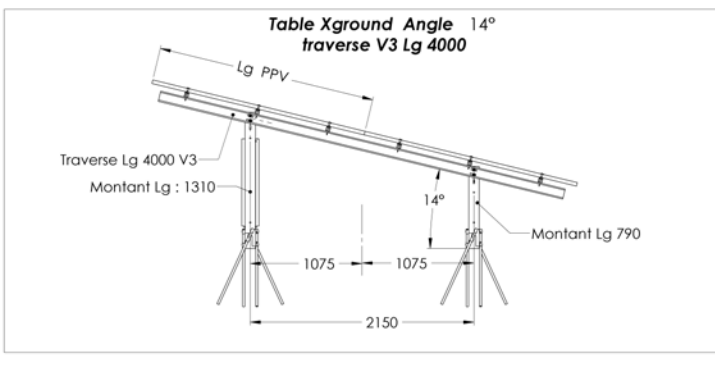
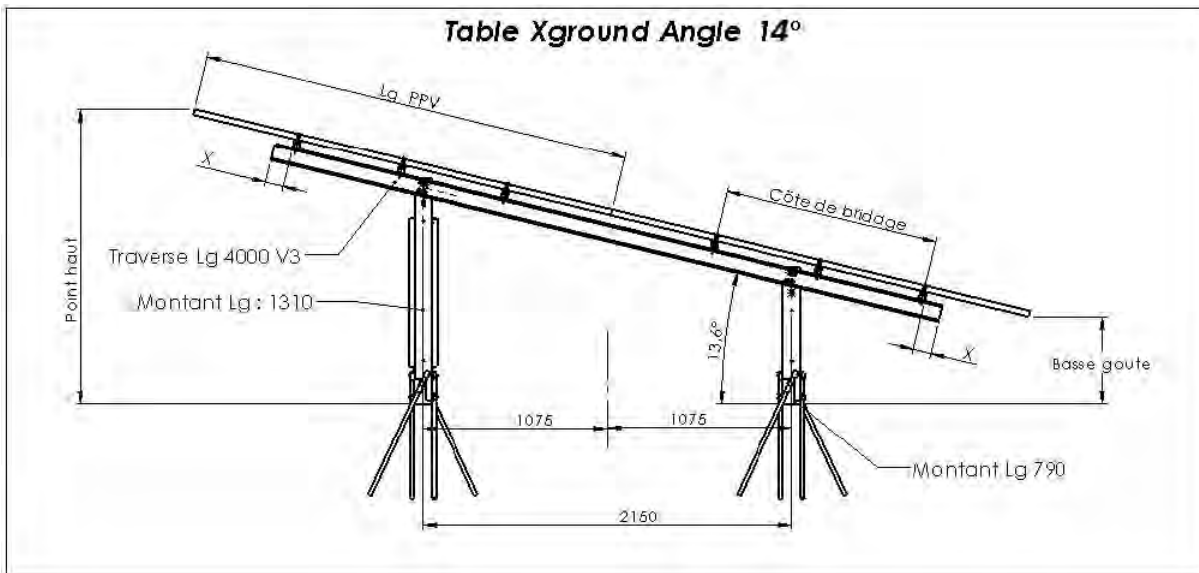


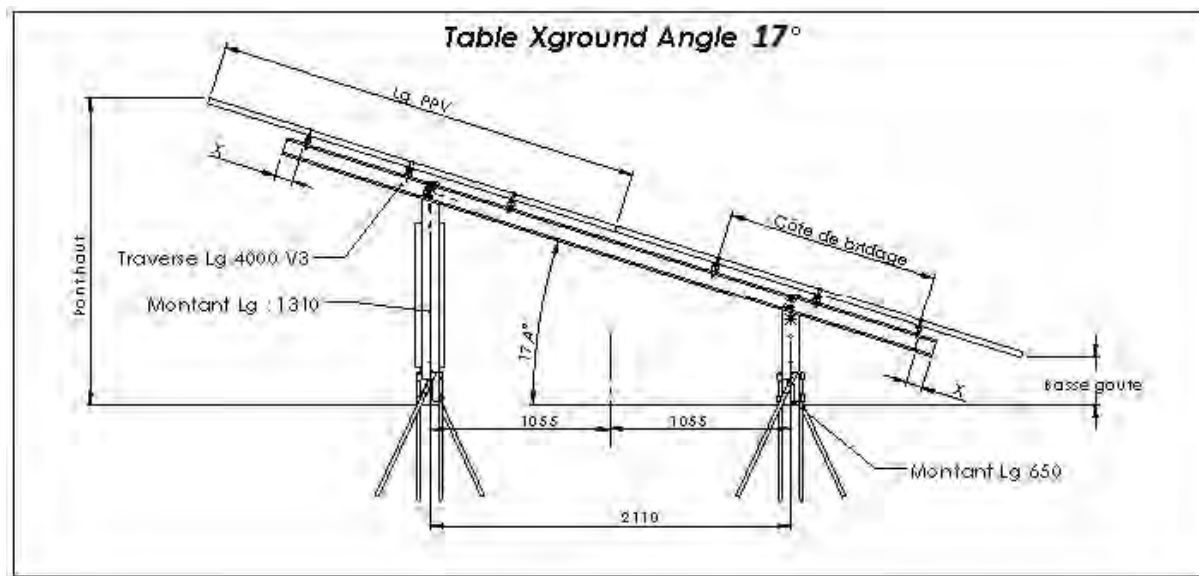
Table Xground Angle 14°



N° Table	Table angle : 14°	Basse Goute	Point haut	Cote X
-----------------	--------------------------	--------------------	-------------------	---------------

Table 04	Panel Lg : 2300	553	1671	257
Table 05	Panel Lg : 2200	577	1647	332
Table 06	Panel Lg : 2100	600	1624	407
Table 07	Panel Lg : 2000	624	1600	482

Table Xground Angle 17°



N° Table	Table angle : 17°	Basse Goute	Point haut	Cote X
-----------------	--------------------------	--------------------	-------------------	---------------

Table 11	Panel Lg : 2300	336	1744	257
Table 12	Panel Lg : 2200	366	1714	332
Table 13	Panel Lg : 2100	395	1685	407
Table 14	Panel Lg : 2000	425	1655	482