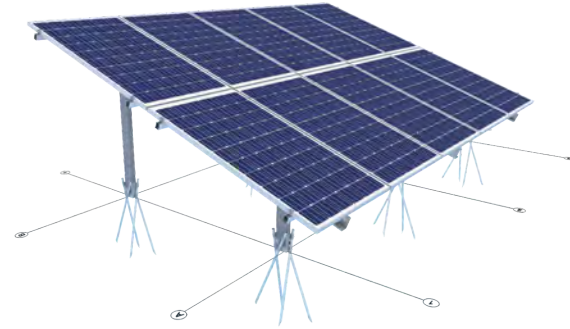


Technical datasheet

X-GROUND V2 SOLAR TABLE

Purpose

The X-Ground solar tables are the ideal solution for small and medium-sized ground-mounted solar power plants. Thanks to their micropile foundation system, you save the cost of large construction equipment and do not damage your land with concrete foundations.



Standard model 5V2
(5 columns of 2 panels, 6 posts)

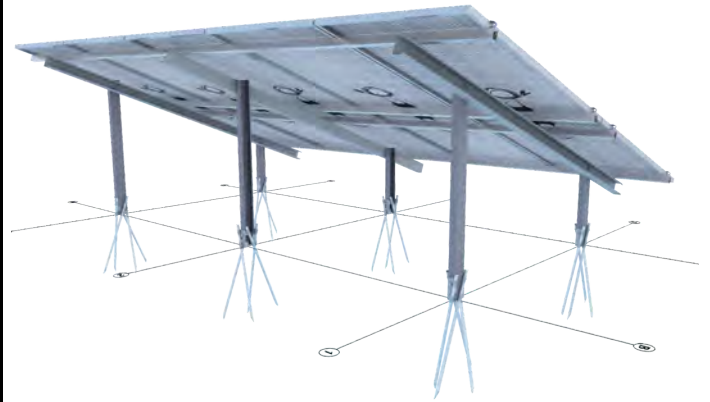
Technical features

Metal	Steel + ZM310
Field of use	X-Ground tables are a process used in the installation of ground-mounted photovoltaic power plants with a capacity of up to 1 Mwc.
Foundations	Anchoring of the foot of the post with 4 tubes of diameter 22mm and length 1.5m. Variable length according to the soil study.
Soil types	Any soil capable of receiving micropiles (excluding fill, sand, rock...) Soil study is not mandatory but recommended according to the implantation area. Pull-out tests must be carried out: consult us.
Installation area	On the standard model, the modules are held by 2 parallel rails, depending on the geographical area, a 3rd rail can be installed.*
Modules tilt	14° or 18° approx
Modules	Portrait. Max length max: 2000 mm. Max width = 1096 mm
Alignment	The tables follow the natural slope of the ground. Optional heightener can be provided to align them.

*subject to feasibility, refer to the module installation manual

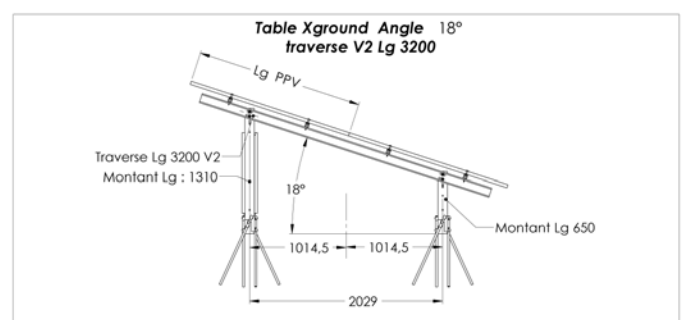
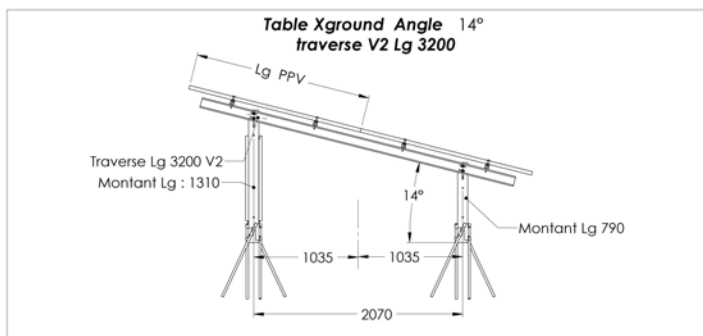
System parts

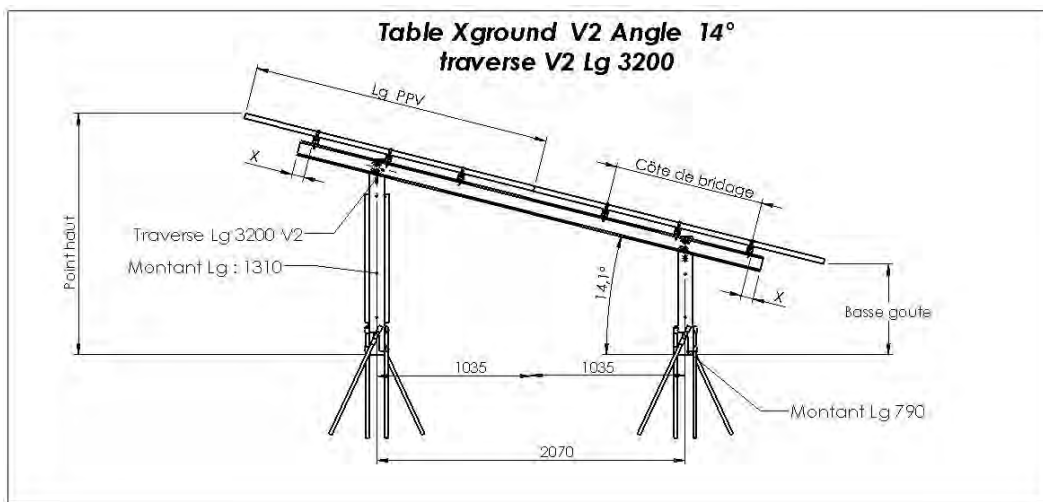
DESIGNATION	ADIWATT REFERENCE
Clamp	10854
Rail A52	
1050 mm	10237
1560 mm	10238
1750 mm	10239
2100 mm	10240
3120 mm	10245
3500 mm	10246
Fishplate	10855
Rail stop OPTIMA	10856
Pilar	
650 mm	10073
790 mm	10075
1310 mm	10069
Wind bracing	10028
Micro pillars support	10849
Steel micro pillars	
1220 mm	10064
1525 mm	10065
2033 mm	11859
Crossbar3200	10072



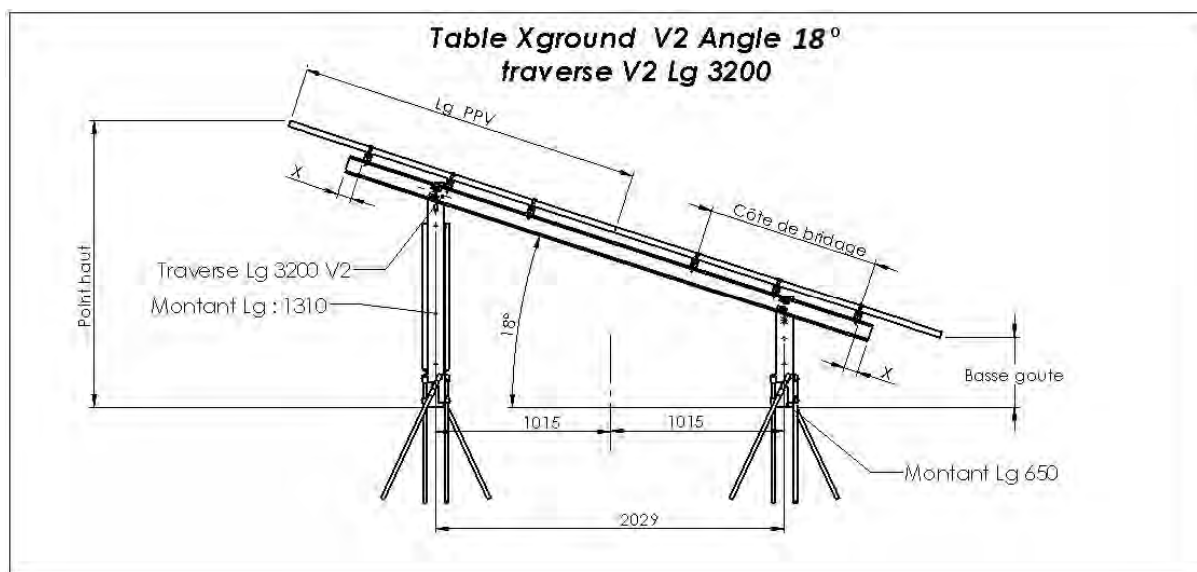
System layout

For tables with modules 1.5 m to 2.0 m long





N° Table	Table angle : 14°	Basse Goute	Point haut	Cote X
Table 15	Panel Lg : 1900	631	1592	32
Table 16	Panel Lg : 1800	655	1568	107
Table 17	Panel Lg : 1700	679	1544	182
Table 18	Panel Lg : 1600	704	1519	257
Table 19	Panel Lg : 1500	728	1495	332



N° Table	Table angle : 18°	Basse Goute	Point haut	Cote X
Table 20	Panel Lg : 2000	404	1676	82
Table 21	Panel Lg : 1900	434	1645	157
Table 22	Panel Lg : 1800	465	1614	232
Table 23	Panel Lg : 1700	496	1583	307
Table 24	Panel Lg : 1600	527	1552	382
Table 25	Panel Lg : 1500	558	1521	457