

Technical datasheet

PROFIL EVOLUTION

The AdiWatt Profil Evolution process combines framed photovoltaic modules with a specific mounting system for installation on roofs or carports in portrait or landscape mode.



Technical features

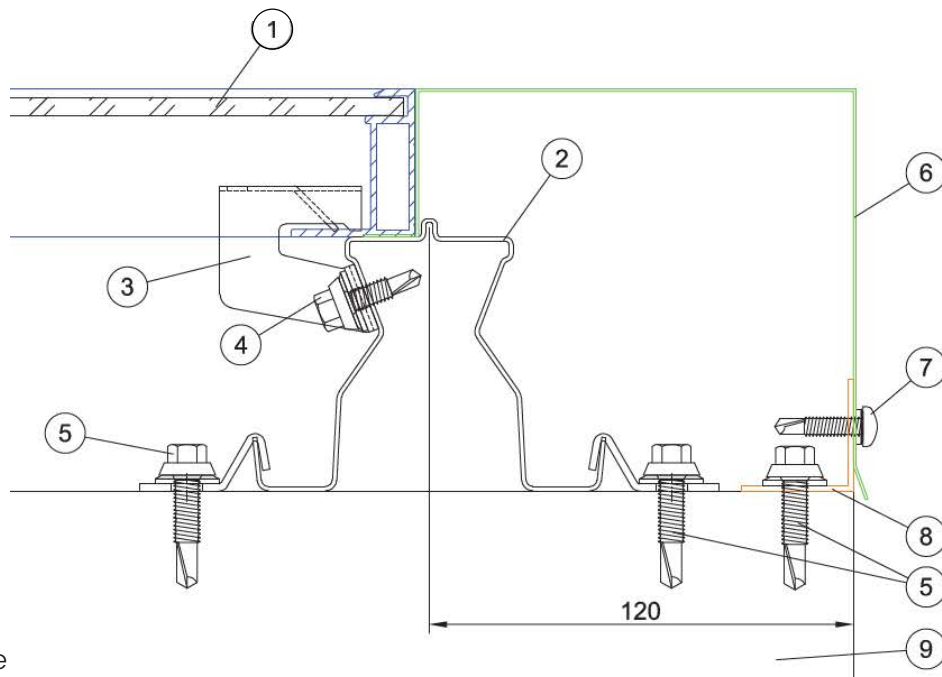
Metal	Steel + ZM310
Field of use	New or existing roof - Carports - Flat roof
Installation area	Low and medium hygrometry - Cyclonic zone compatible
Maximum installation altitude	900 m
Maximum tilt	5° to 20°
Installation and fastening of the modules	Slide-in installation and fastening from below
Modules	Framed with frame return - Portrait or landscape
Space between purlins	3 m max (according to project specifications, might be less)
Waterproofing	Draining rails and inter-module gutters
System weight/m ²	Landscape: 1.8 kg Portrait: 3.2 kg

System parts

DESIGNATION	ADIWATT REFERENCE
Module fixation clamp	EVOCLAMP & EVOCLAMP 47
Evolution fishplate	EVOECLI
Clip	EVOFIX
Evolution rail	EVOG*xx*xxxxx*ACIER*ZM310
Standar Evo stop	EVOSTOP*ZM310
Triangular Evo stop	EVOSTOP
Inter-module gutter	NONE



System layout



1. PV module
2. Evolution rail
3. Clamp
4. Self drilling screw for the rail
5. Self drilling screw for the purlin
6. Sides covering
7. Self drilling screw for the covering
8. Angle bracket
9. Purlin