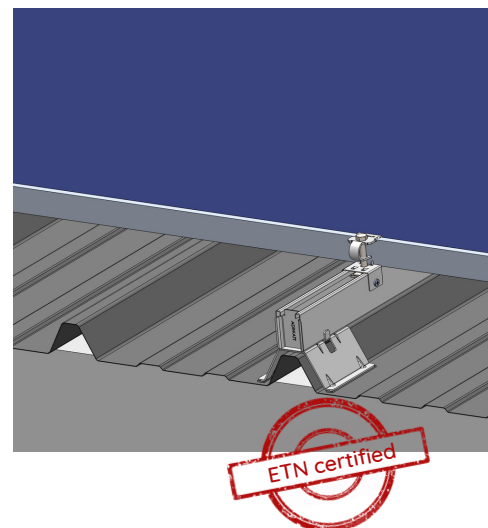


Technical datasheet

OPTIMA Steel roof

OPTIMA

The AdiWatt OPTIMA process combines framed photovoltaic modules with a specific mounting system that allows them to be installed on trapezoidal corrugated steel roofs in landscape mode.



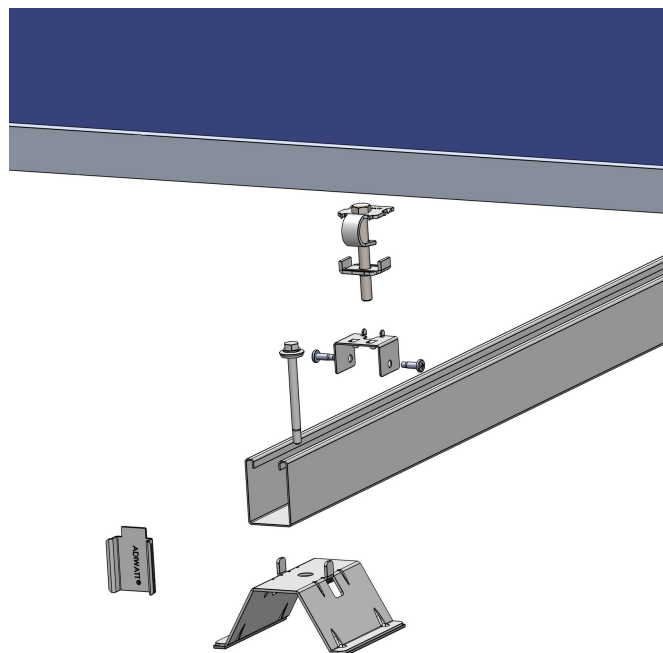
Technical features

Metal	Steel + ZM310 according to EN 10346
Field of use	New or existing roofs with trapezoidal corrugated steel sheets - Roofs covered with corrugated plates obtained from coated steel sheets in accordance with DTU 40.35
Installation areas	Low and medium humidity premises - Cyclonic zone compatible
Maximum installation altitude	900 m
Minimum and maximum slope	2.8° to 45°
System weight/m2	3.5 kg
Modules	Framed - Landscape mode
Purlin spaces	< 2m = 2 rails/column of modules 2m to 2m50 = 3 rails/column of modules *
Maximum roof length	40 m

*subject to feasibility, refer to the module installation manual

System parts

DESIGNATION	ADIWATT REFERENCES
Clamp	STFIXA01
Rail A52	STRAILA52 + longueur
Fishplate	STINNA
Rail support	OPPONT45/36/25
Rail stop	STSTOPA



System layout

