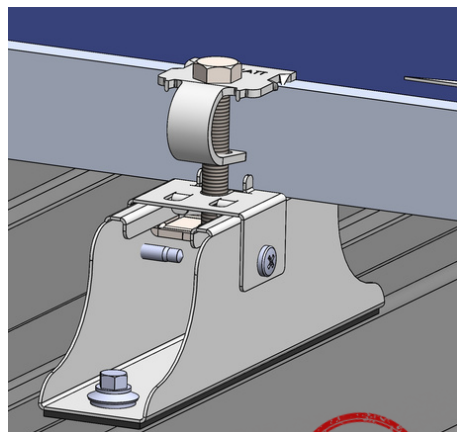


Technical data sheet | PRIMA

Prima

A cost-effective solution from the AdiWatt range, the Prima system is installed on trapezoidal steel roof. Designed to be installed in landscape mode, Prima is made up of elements coated with a zinc-aluminum-magnesium anti-corrosion alloy.



Technical features

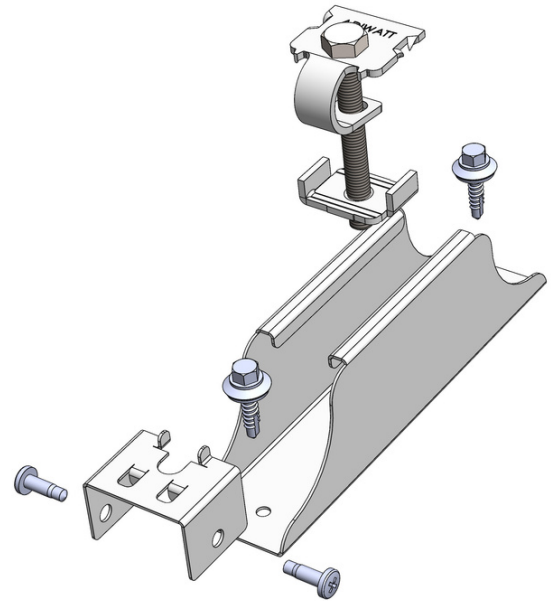
Metal	Steel + Magnelis® ZM310
Field of use	Trapezoidal steel roofs - Thickness : 0.75**mm
Installation areas	Wind : 1 & 2* Snow : A1 & A2*
Maximum installation altitude	900 m
Space between purlins	<1.8 m
Type of fastener	Self drilling screws or rivets
Recommanded space between modules	5-20 mm
Roof tilt	5° to 30°
Pv modules	Framed in landscape mode. Clamping areas must respect the manufacturer instructions.

** 0.63 please consult us

* other areas, please consult us

System parts

DESIGNATION	ADIWATT REFERENCE
short rail Prima	PRIRAIL01
ADIWATT Clamp	STFIXA01
rivets	PRICART50STD
self drilling screws	VII21201



System layout and schematics

