

ADIWATT

Le photovoltaïque, une histoire d'experts

SOLUTION FOR STEEL ROOFING

Prima®

AdiWatt simplifies the fastening system of photovoltaic panels with PRIMA®, a universal fixing system.



© La Jubarderie, 41270 Fontaine Raoul

✉ info@adiwatt.com ☎ 02-54-23-39-90

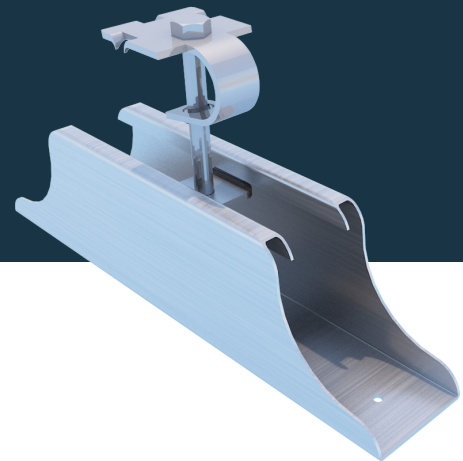
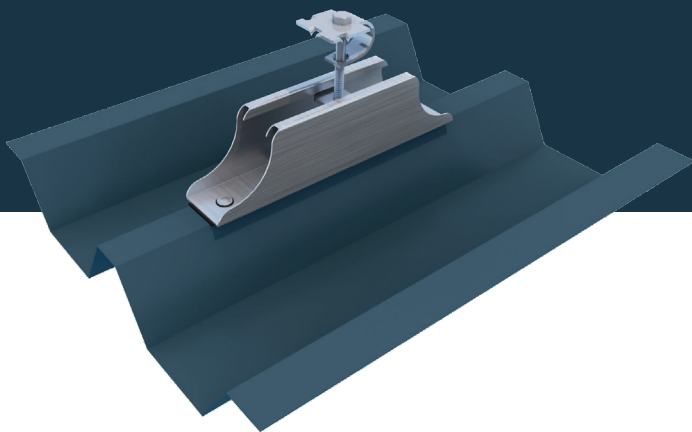


ISO 9001

WWW.ADIWATT.COM

Special features

- The PRIMA® system is assembled without difficulty and safety thanks to the fixing by rivet or self-drilling screws.
- This fastening system reduces labor assembly for faster installation while still being achievable by one person.
- Cardboard delivery of one-size-fits-all pieces and pre-drilled assures you optimized logistics and simplified.
- PRIMA® provides waterproofing and ventilation under 9.6 cm modules for better productivity and lifespan of the latter.
- Our solutions are designed and manufactured in France



Technical characteristics

Application field	Steel roof up to 0.63mm
Weather resistance	Cyclonic zone suitable
Type of module & Orientation	Framed-Landscape mode
Fixation	Riveting or self-drilling screws
Material	Magnélis®
Grounding	VERITAS test report
Certification	ETN

Our sales team is at your disposal for the study of your projects