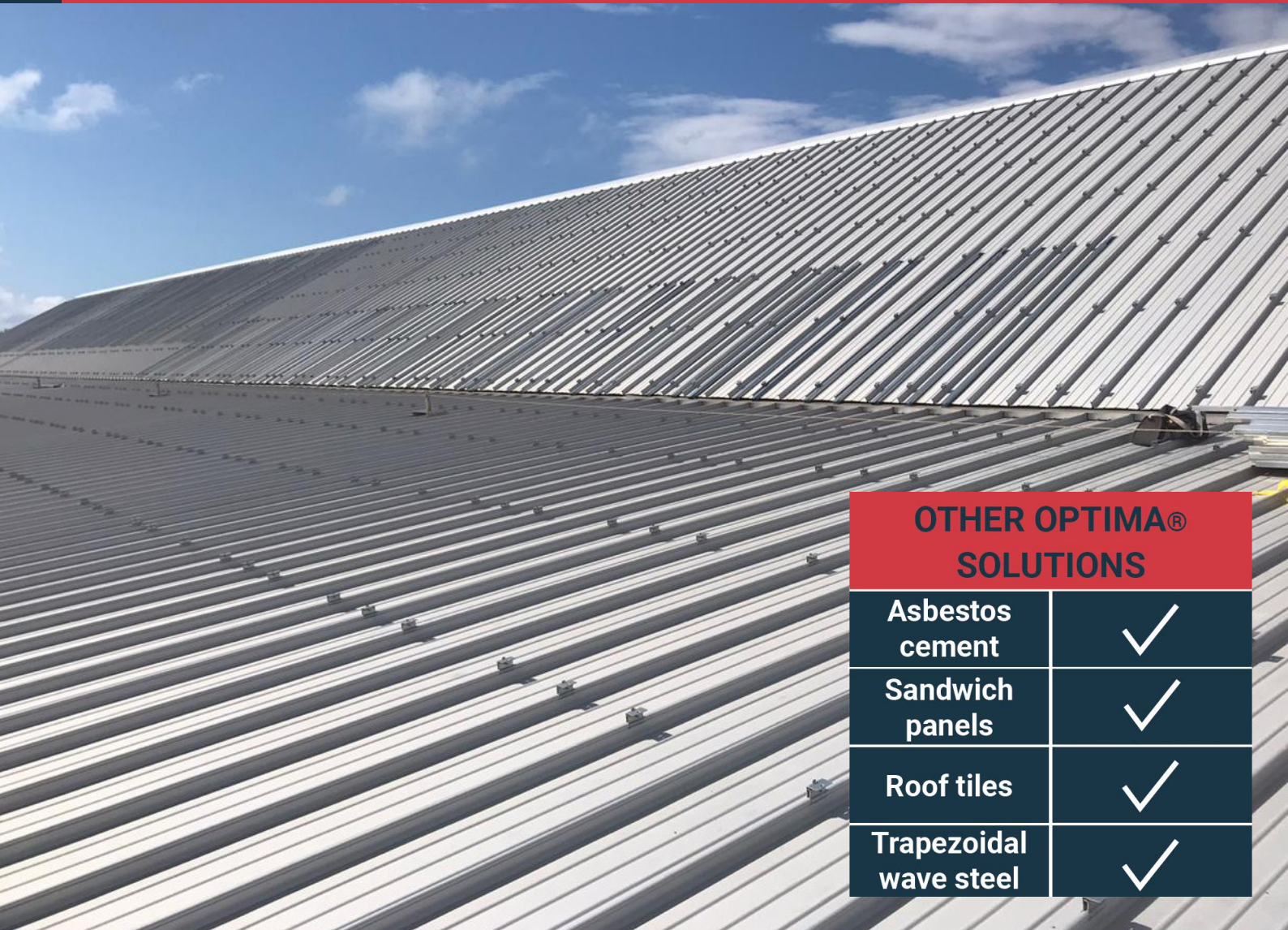


SOLUTION FOR KALZIP®

Optima®

AdiWatt has developed a fixing system in accordance with the specific requirements of Kalzip® roofs to guarantee the installation of framed photovoltaic modules.

WWW.ADIWATT.COM



OTHER OPTIMA® SOLUTIONS	
Asbestos cement	✓
Sandwich panels	✓
Roof tiles	✓
Trapezoidal wave steel	✓

© La Jubarderie, 41270 Fontaine Raoul

✉ info@adiwatt.com

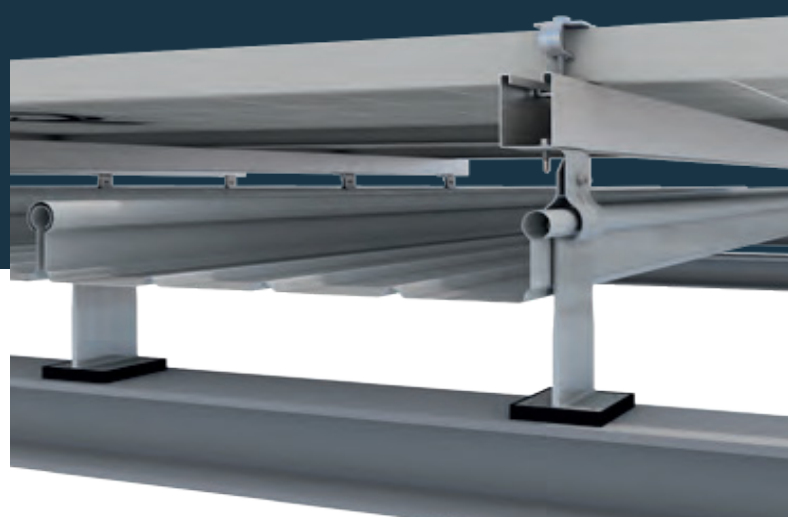
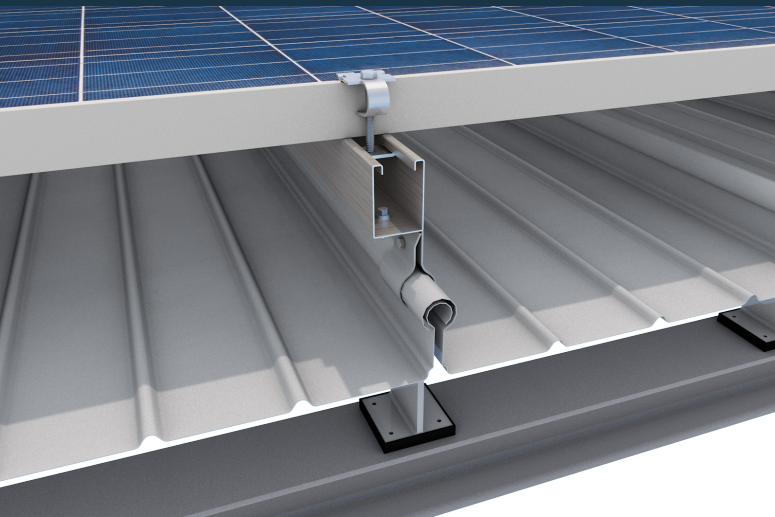
☎ 02-54-23-39-90



ISO 9001

Special features

- Our Kalzip® roof fixing system provides you a quick installation without perforation of the roof.
- Fastening to the purlins via the clip.
- The system is applicable in cyclonic areas by fixing 3 rails per module.
- Our solution offers efficient ventilation under the modules and ensures excellent productivity as well as a longer life of the photovoltaic modules.
- The AdiWatt system does not affect the watertightness of the tank.
- This system can be dismantled without affecting the integrity of the roof.
- Our solutions are designed and manufactured in France.



Technical characteristics

Field of application	Kalzip® roofs
Module orientation	Landscape mode
Material	Magnélis®
Weather resistance	Cyclonic zone compatible
Module features	Framed modules
Screws and bolts	Inox
Certification	ETN
Guarantee	Saline environment
Grounding	VERITAS test report

Our sales team is at your disposal for the study of your projects