

ADIWATT is a company created in order to become a world leader in the manufacture and distribution of photovoltaic structures.

The goal of ADIWATT is to increase current market share and get closer to all their clients to make it much easier to fulfill their needs.

ADIWATT staff is technical and sales specialized in the PV market, with long experience in manufacturing, desing and marketing. From here, we welcome you to our group and hope to keep us in mind to your future projects.

As added value, ADIWATT has his own assembly staff, which throughout its extensive experience has developed the knowledge to install structures in any place and any condition.



4HBP

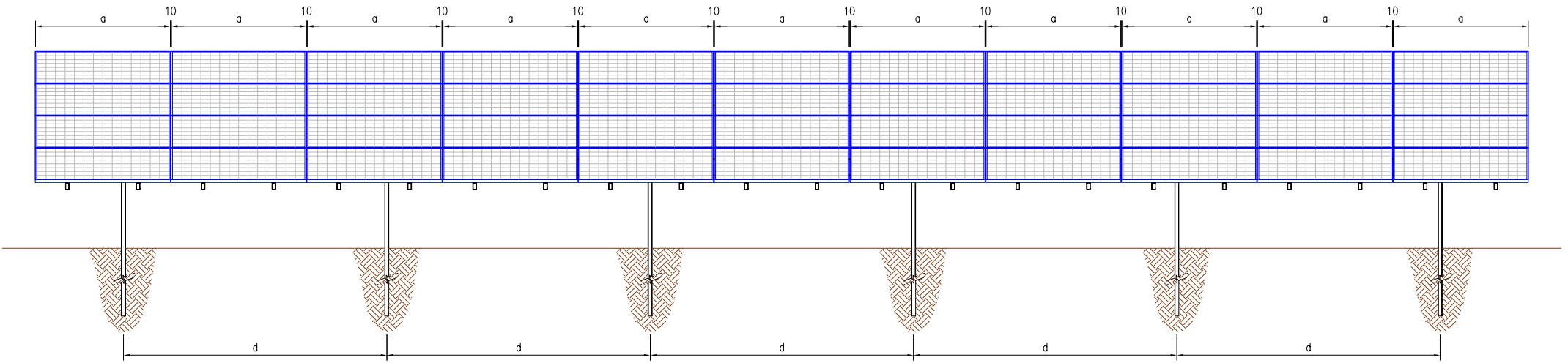
INNOVATIVE AND DISTINGUISHING CHARACTERISTICS:

- Flexible placement of photovoltaic modules
- Easy and quick assembling.
- Options of foundation: Pilling, drilling and concrete blocks.
- Own engineering department: Structures designed according to customer requirements.
- Weight reduction: Tailored dimensions of profiles.
- Complete structure and all bulk materials needed delivered.

TECHNICAL CHARACTERISTICS:

- The quality of steel for the piles is S275JR or S355JR with a subsequent treatment of hot dip galvanized according to the norm UNE EN ISO 1461, which gives 25 years of warranty for C3 environment. It also gives us the possibility of increasing the galvanizing thicknesses to reach a 25 year guarantee for a C5 environment.
- The quality of steel for the aerial part is S280GD, S320GD or S350GD with a coating of ZM310, which gives it a warranty of 25 years even in C5 environment.
- The structures are adapted to the different dimensions and fixing characteristics of the panels in the market.
- Connections between all elements are bolted, not welded existing before or after the finishing process.
- Screws for the structure in ZINC/NIQUEL and the panel in INOX (antibolt optional).

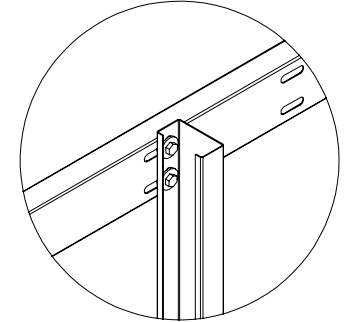
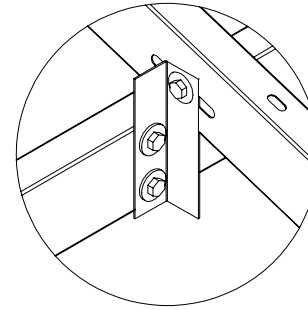
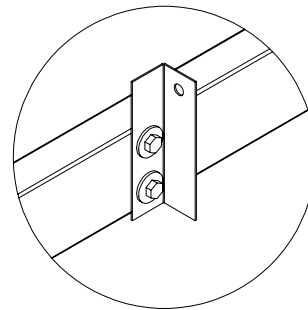
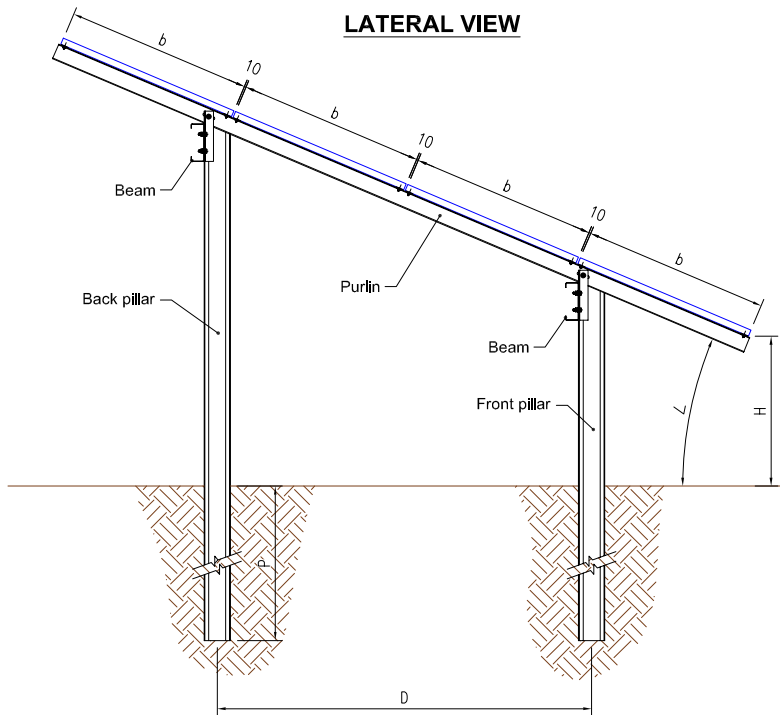
FRONT VIEW



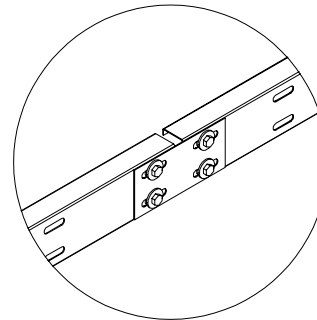
JOINT: BEAM-PURLIN

JOINT: BEAM-PILLAR

LATERAL VIEW



JOINT: BEAM-BEAM



SOLAR PANEL

